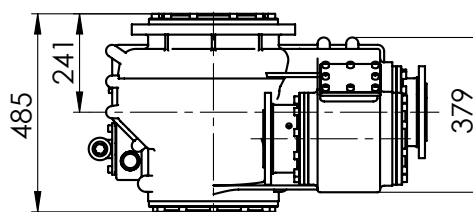
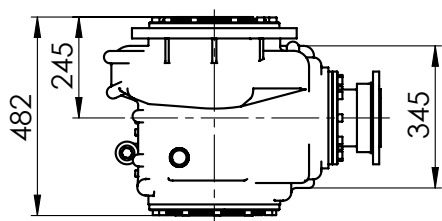
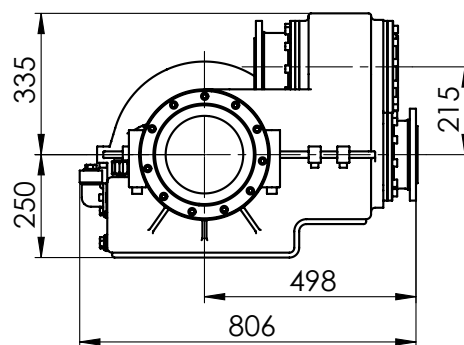
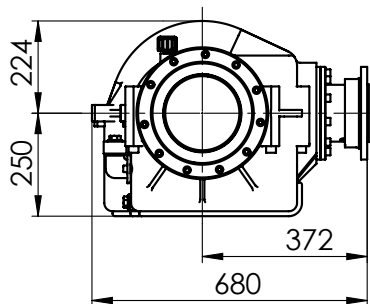
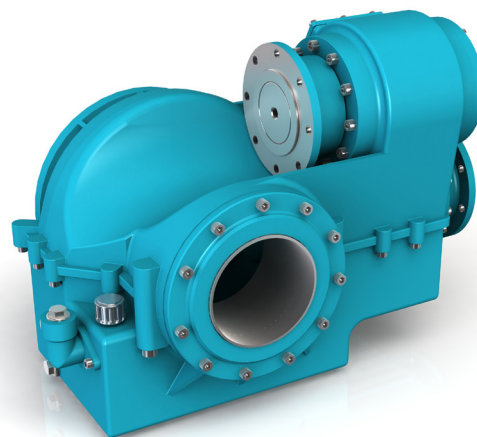
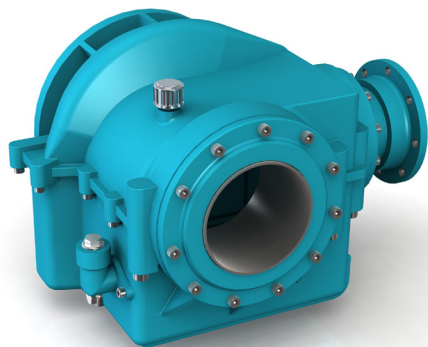


TEK 15-170
TKK 15-170



Application: Multiple units, maintenance of way machines

Type		TEK 15-170	TKK 15-170
		single stage	two stage
Axle load max.	[t]	15	15
Axle diameter at bearings	[mm]	170	170
Nominal power	[kW]	140	280
Input revolution max.	[1/min]	2000	3000
Max. torque on axle	[Nm]	28000	28000
Range of gear ratio		2,14-3,00	2,14-9,42
Weight (w/o axle, oil)	[kg]	285	415