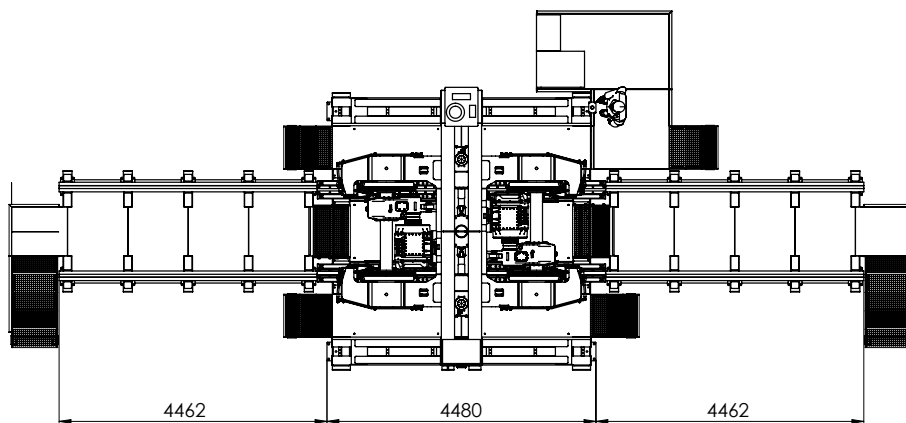
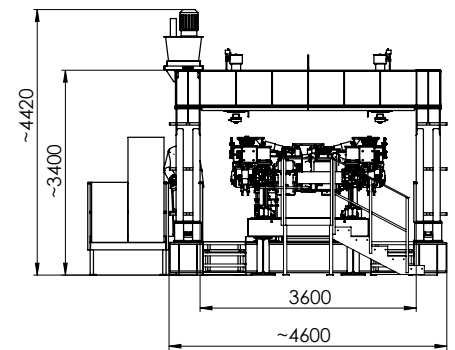
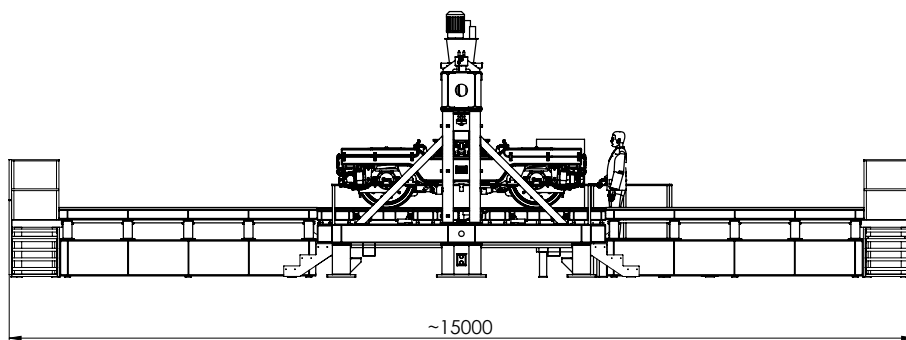


Bogie load test bench



Type		BT-1.0-25/30
Max. bogie axle load	[t]	25
Max. load at hydraulic cylinders	[kN]	2x300
Track gauge range	[mm]	760-1676
Wheelbase range (two axle bogie)	[mm]	1200-3000