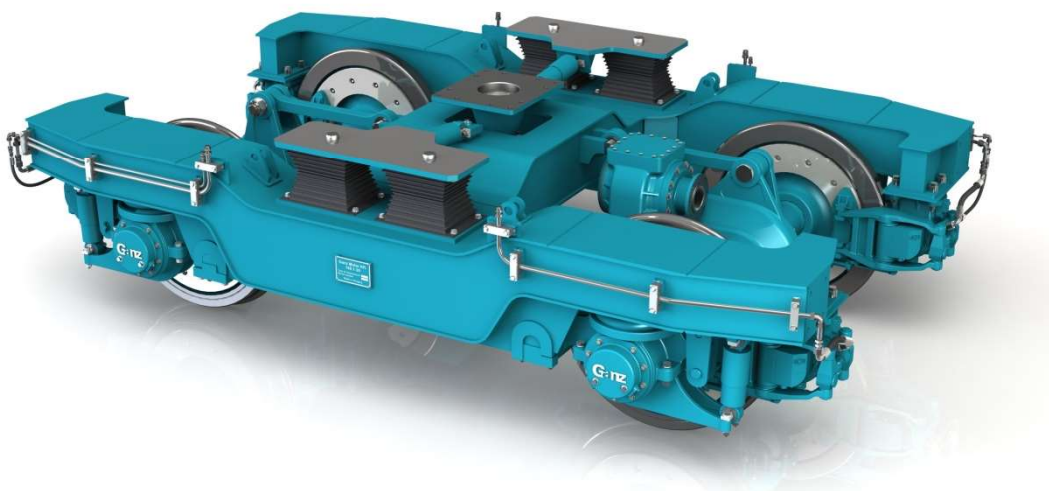


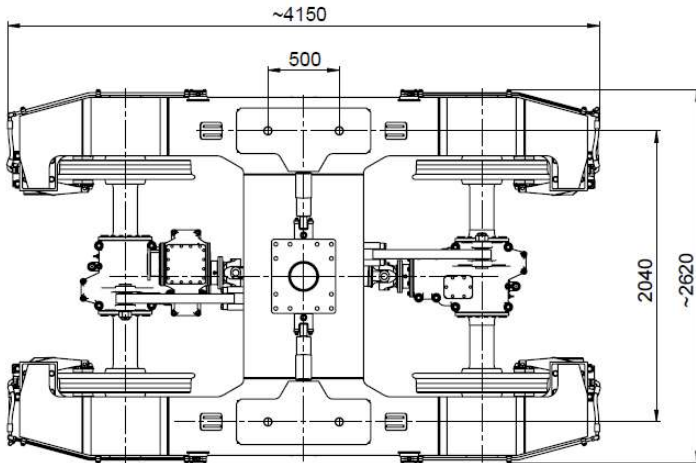
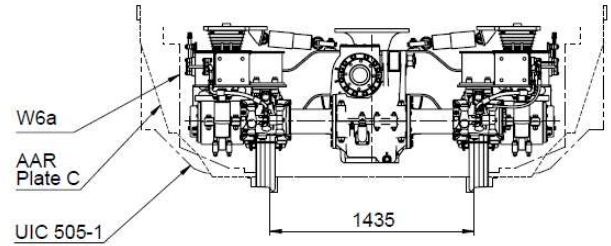
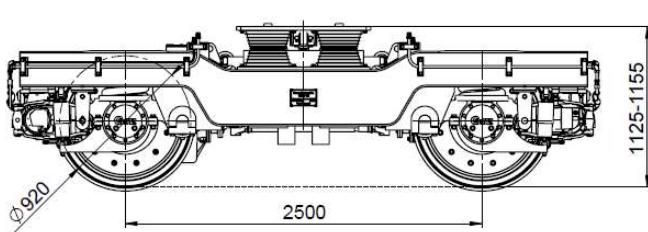
## 160.1-30

### Powered bogie – Hydrodynamic transmission



**Application:** Maintenance of way vehicles, locomotives

Bogie type		<b>160.1-30-N2</b>	<b>160.1-30-N1</b>	<b>160.1-30</b>
Track gauge	[mm]	<b>1000</b>	<b>1067</b>	<b>1435</b>
Clearance gauge / Possible country of operation		Argentina, Brazil, Bolivia, Thailand, Tunisia	South Africa, Congo, Sudan, Japan, Indonesia	UIC 505-1, W6a, AAR plate C
Axle load, nominal range	[t]	12-16	12-16	12-16
Axle load, max. allowed	[t]	18	18	18
Wheel diameter new/worn	[mm]	920/840	920/840	920/840
Wheelbase	[mm]	2500	2500	2500
Brake system		air brake unit	air brake unit	air brake unit
Brake arrangement		wheel mounted disc	wheel mounted disc	wheel mounted disc
Parking brake type		spring applied	spring applied	spring applied
Traction type		hydrodynamic	hydrodynamic	hydrodynamic
Max. power per wheelset	[kW]	250	250	250
Max. operating speed	[km/h]	100	100	120
Axle drive type, single stage		Ganz TEK 2020	Ganz TEK 2020	Ganz TEK 2020
Axle drive type, two stage		Ganz TTK 2020	Ganz TTK 2020	Ganz TTK 2020
Bogie weight (approx.)	[t]	8,5	8,6	8,9



160.1-30-B1	160.1-30-B2	160.1-30-B3	160.1-30-B4
<b>1520</b>	<b>1600</b>	<b>1668</b>	<b>1676</b>
Finland, Russia	Brazil, Ireland, Australia	Spain, Portugal	India, Pakistan, Bangladesh, Argentina, Chile
12-16	12-16	12-16	12-16
18	18	18	18
920/840	920/840	920/840	920/840
2500	2500	2500	2500
air brake unit	air brake unit	air brake unit	air brake unit
wheel mounted disc	wheel mounted disc	wheel mounted disc	wheel mounted disc
spring applied	spring applied	spring applied	spring applied
hydrodynamic	hydrodynamic	hydrodynamic	hydrodynamic
250	250	250	250
120	120	120	120
Ganz TEK 2020	Ganz TEK 2020	Ganz TEK 2020	Ganz TEK 2020
Ganz TTK 2020	Ganz TTK 2020	Ganz TTK 2020	Ganz TTK 2020
8,9	9,0	9,1	9,1

**Optional features:** Wheelset grounding; speed sensor; sanding system; tread cleaner; wheel flange lubrication; equipment mounting pads; train protection system train-born units

**Trailer version available.**