

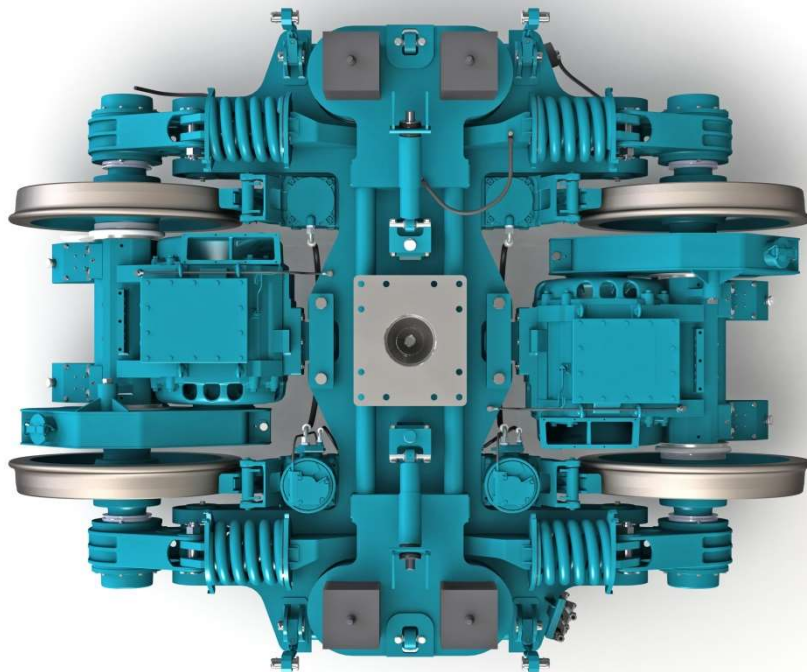
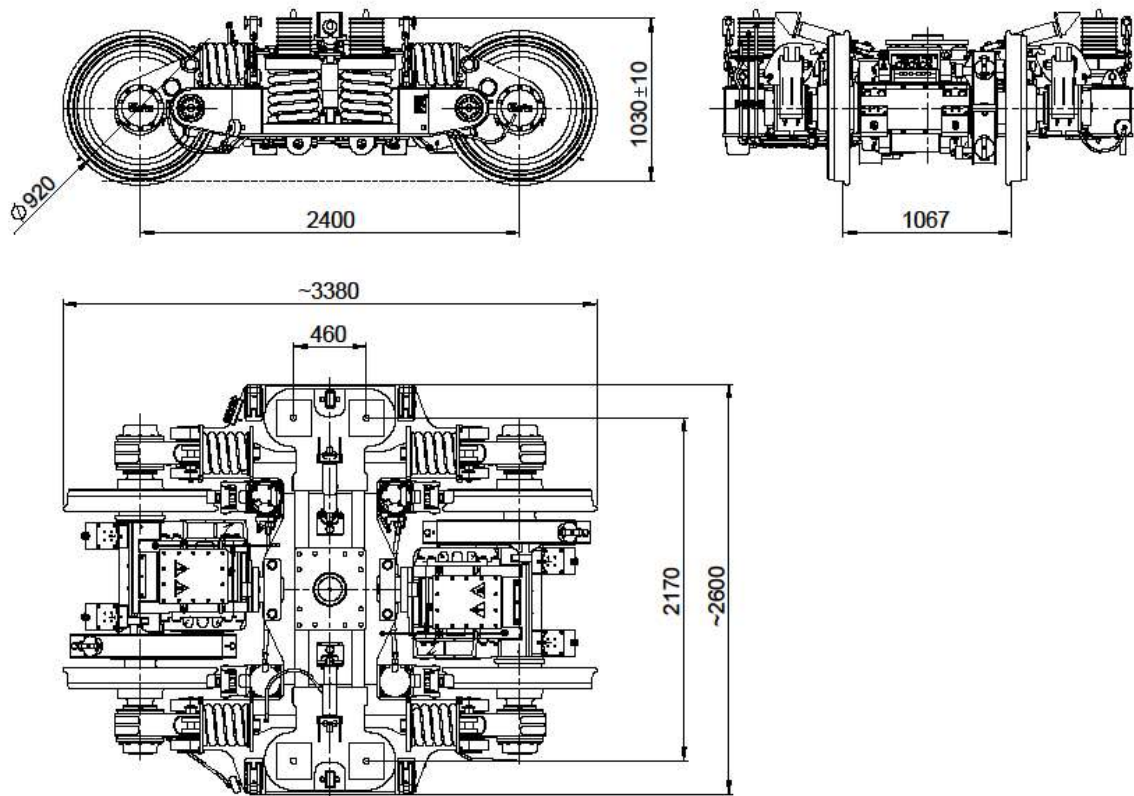
170.1-10

Narrow gauge powered bogie – Electric transmission



Application: Locomotives

Bogie type		170.1-10-N2	170.1-10-N1
Track gauge	[mm]	1000	1067
Clearance gauge / Possible country of operation		Argentina, Brazil, Bolivia, Thailand, Tunisia	Suth Africa, Congo, Sudan, Japan, Indonesia
Axle load, nominal nominal range	[t]	13-17	13-17
Axle load, max. allowed	[t]	18	18
Wheel diameter new/worn	[mm]	920/840	920/840
Wheelbase	[mm]	2400	2400
Brake system		air brake unit	air brake unit
Brake arrangement		tread brake	tread brake
Parking brake type		spring applied	spring applied
Traction type		electric, AC	electric, AC
Max. power per wheelset	[kW]	250	250
Max. operating speed	[km/h]	100	100
Axle drive type		pinion/bull gear	pinion/bull gear
Traction motor bearing		plain support bearing	plain support bearing
Bogie weight (approx.)	[t]	9,3	9,3



Optional features: Wheelset grounding; speed sensor; sanding system; tread cleaner; wheel flange lubrication.