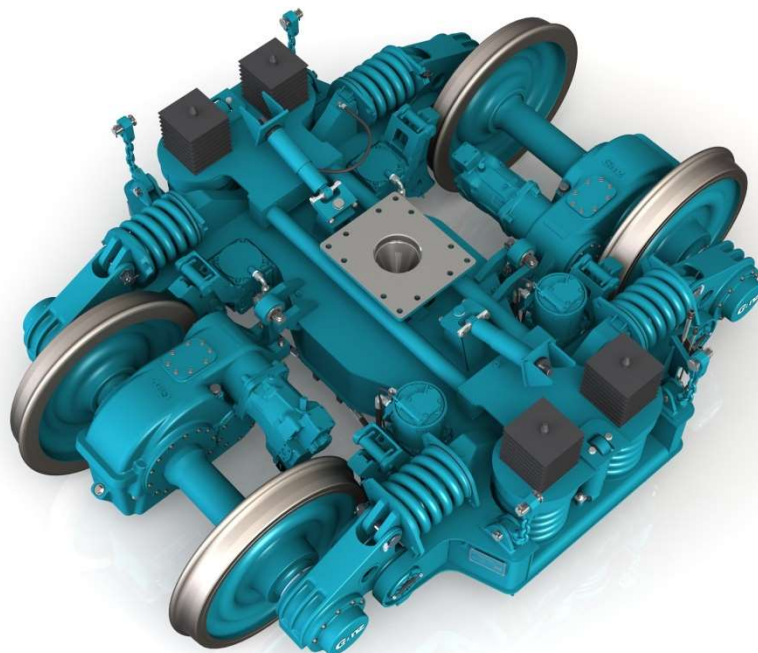


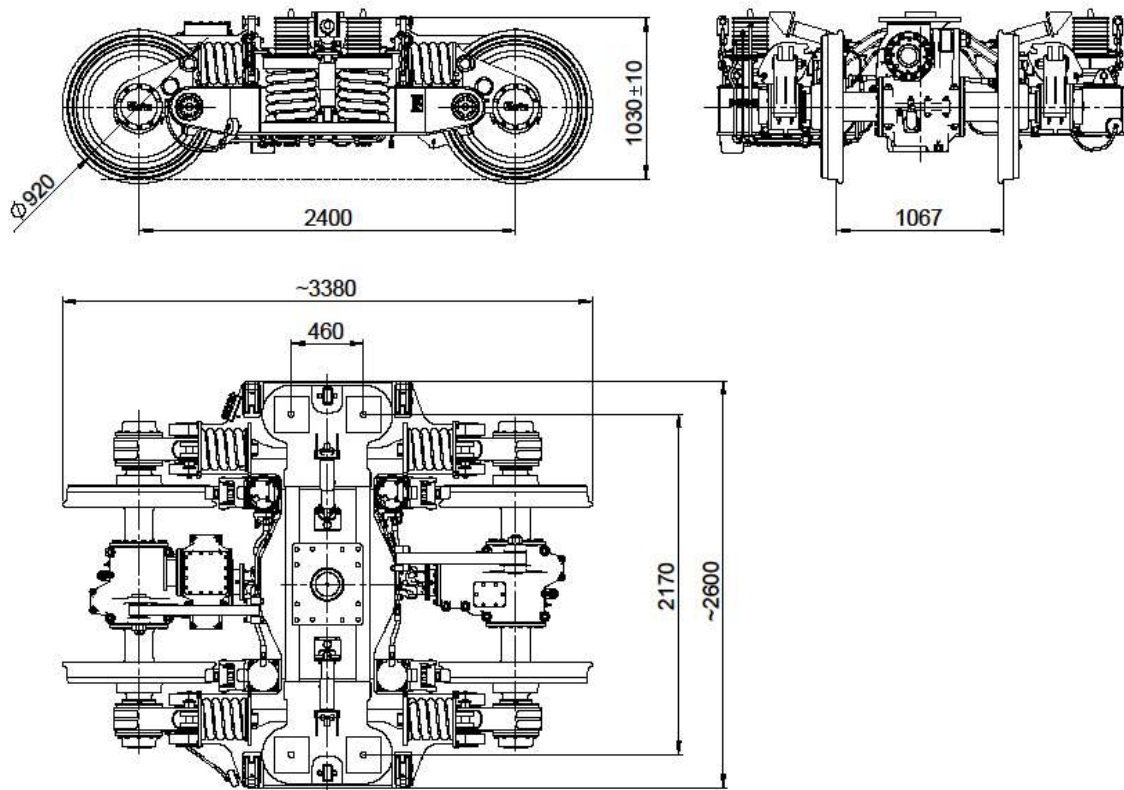
## 170.1-30

### Narrow gauge powered bogie – Hydrodynamic transmission



**Application:** Locomotives

Bogie type		<b>170.1-30-N2</b>	<b>170.1-30-N1</b>
Track gauge	[mm]	<b>1000</b>	<b>1067</b>
Clearance gauge / Possible country of operation		Argentina, Brazil, Bolivia, Thailand, Tunisia	South Africa, Congo, Sudan, Japan, Indonesia
Axle load, nominal range	[t]	13-17	13-17
Axle load, max. allowed	[t]	18	18
Wheel diameter new/worn	[mm]	920/840	920/840
Wheelbase	[mm]	2400	2400
Brake system		air brake unit	air brake unit
Brake arrangement		tread brake	tread brake
Parking brake type		spring applied	spring applied
Traction type		hydrodynamic	hydrodynamic
Max. power per wheelset	[kW]	250	250
Max. operating speed	[km/h]	100	100
Axle drive type, single stage		Ganz TEK 2020	Ganz TEK 2020
Axle drive type, two stage		Ganz TTK 2020	Ganz TTK 2020
Bogie weight (approx.)	[t]	7,8	7,8



**Optional features:** Wheelset grounding; speed sensor; sanding system; tread cleaner; wheel flange lubrication.