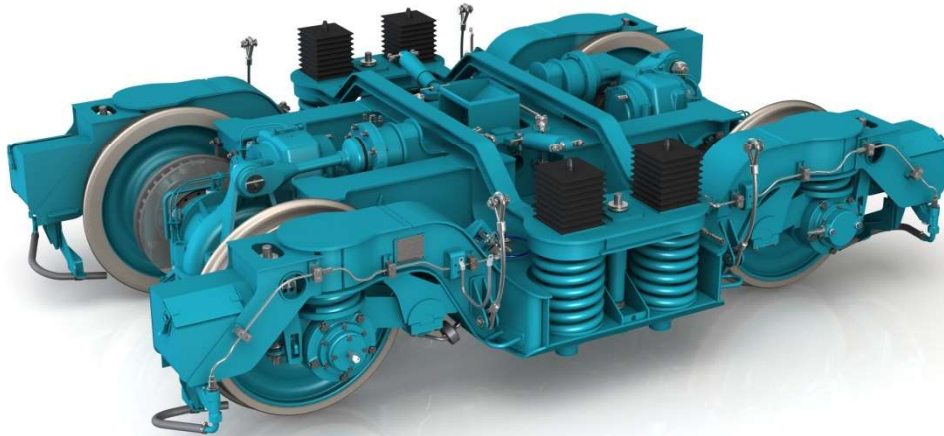


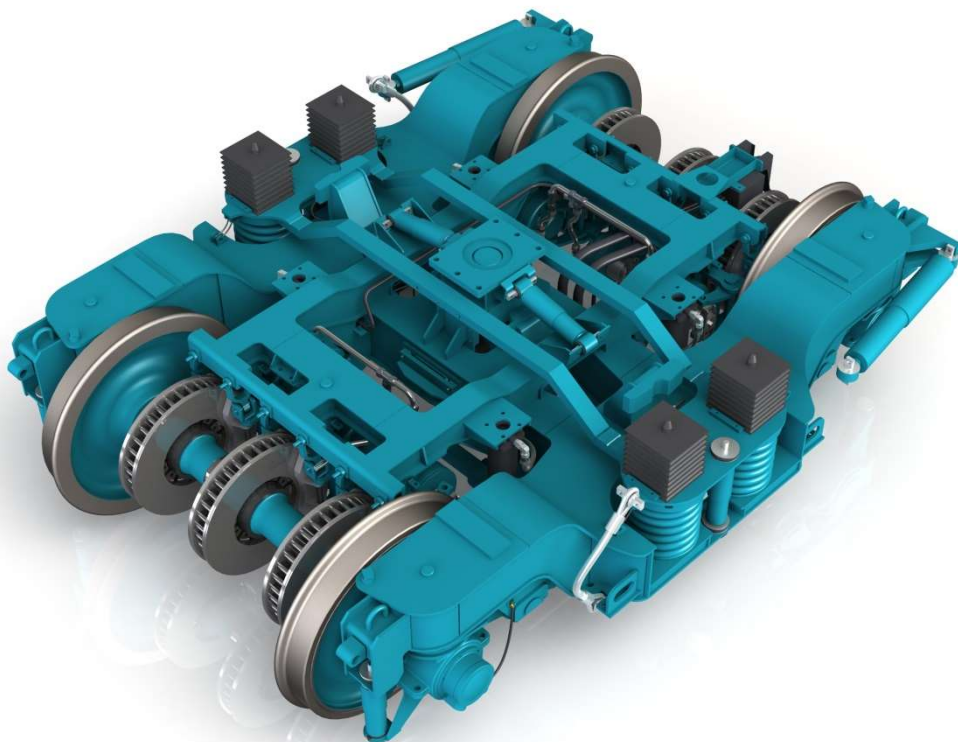
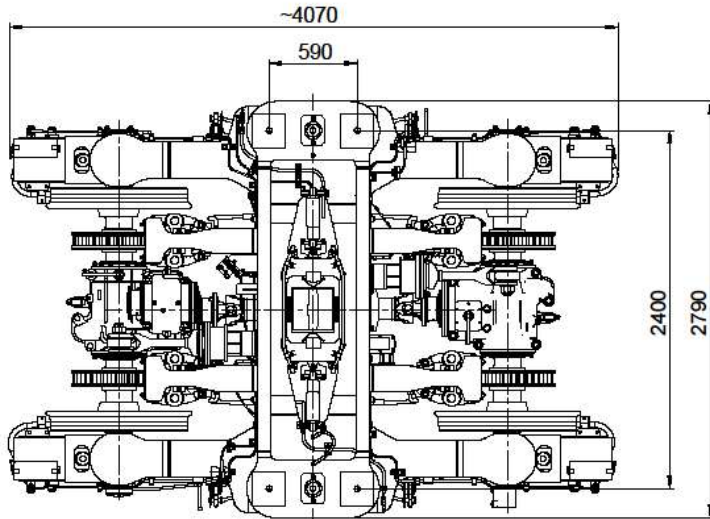
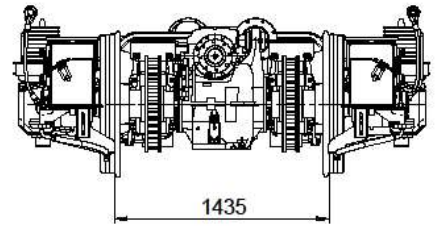
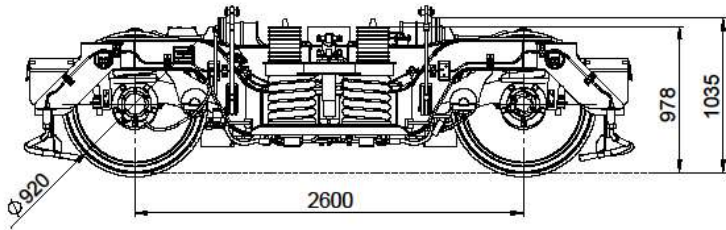
# GH250

## Powered & trailer bogies



**Application:** Maintenance of way vehicles, passenger coaches

Bogie type		<b>GH250-2.1</b>	<b>GH250-2.1</b>	<b>GH250-6</b>
		<b>powered</b>	<b>trailer</b>	<b>trailer</b>
Track gauge	[mm]	<b>1435</b>	<b>1435</b>	<b>1435</b>
Clearance gauge		UIC 505-1	UIC 505-1	UIC 505-1
Axle load, nominal range	[t]	10-16	10-16	12-14
Axle load, max. allowed	[t]	18	18	15
Wheel diameter new/worn	[mm]	920/840	920/840	920/840
Wheelbase	[mm]	2600	2600	2600
Brake system		air brake unit	air brake unit	air brake unit
Brake arrangement		axle mounted disc	axle mounted disc	axle mounted disc
Parking brake type		spring applied	spring applied	manually operated
Traction type		hydrodynamic	n.a.	n.a.
Max. power per wheelset	[kW]	300	n.a.	n.a.
Max. operating speed	[km/h]	100/120/140	100/120/140	160/200
Axle drive type, single stage		Ganz TE 2019	n.a.	n.a.
Axle drive type, two stage		Ganz TK 2019	n.a.	n.a.
Bogie weight (approx.)	[t]	8,8	6,7	7,9



**Optional features:** Wheelset grounding; speed sensor; sanding system; train protection system train-born units.