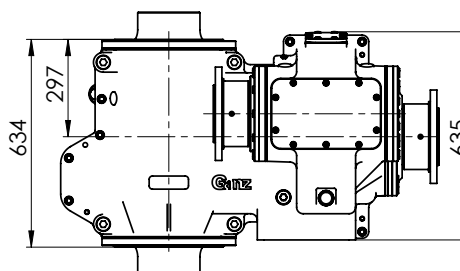
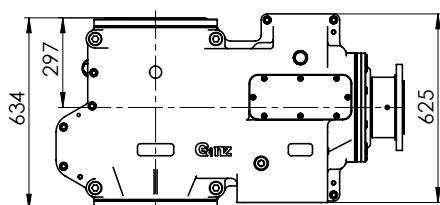
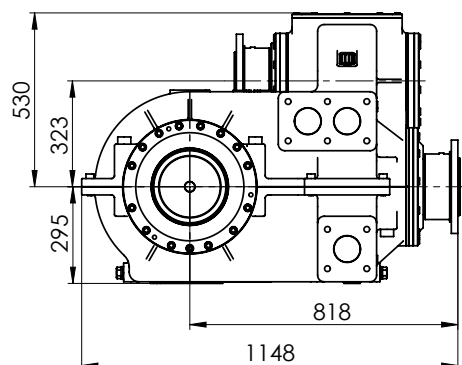
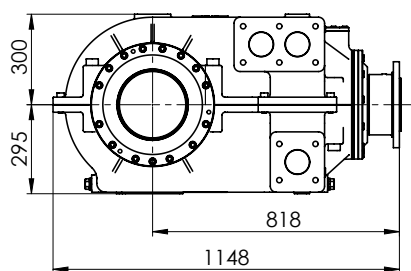
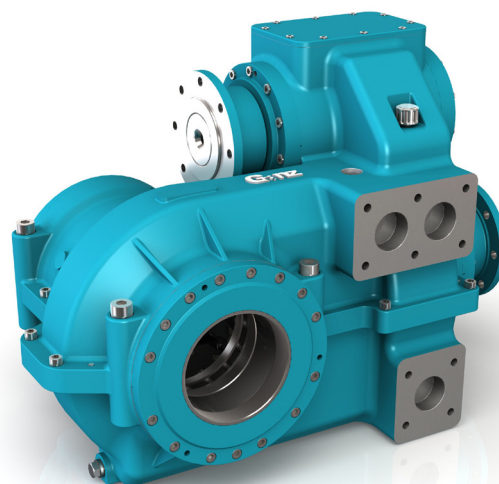
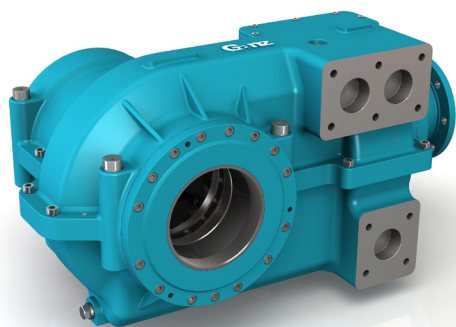


**TEK 22,5**  
**TKK 22,5**



**Application:** Maintenance of way machines, locomotives

| Type                             |         | TEK 22,5-220 | TEK 22,5-240 | TKK 22,5-220 | TKK 22,5-240 |
|----------------------------------|---------|--------------|--------------|--------------|--------------|
|                                  |         | single stage | single stage | two stage    | two stage    |
| <b>Axle load max.</b>            | [t]     | 22,5         | 25           | 22,5         | 25           |
| <b>Axle diameter at bearings</b> | [mm]    | 220          | 240          | 220          | 240          |
| <b>Nominal power</b>             | [kW]    | 600          | 600          | 600          | 600          |
| <b>Input revolution max.</b>     | [1/min] | 2400         | 2400         | 2800         | 2800         |
| <b>Max. torque on axle</b>       | [Nm]    | 40600        | 45000        | 40600        | 45000        |
| <b>Range of gear ratio</b>       |         | 1,80-2,64    | 1,80-2,64    | 1,80-9,40    | 1,80-9,40    |
| <b>Weight (w/o axle, oil)</b>    | [kg]    | 700          | 730          | 1100         | 1150         |