

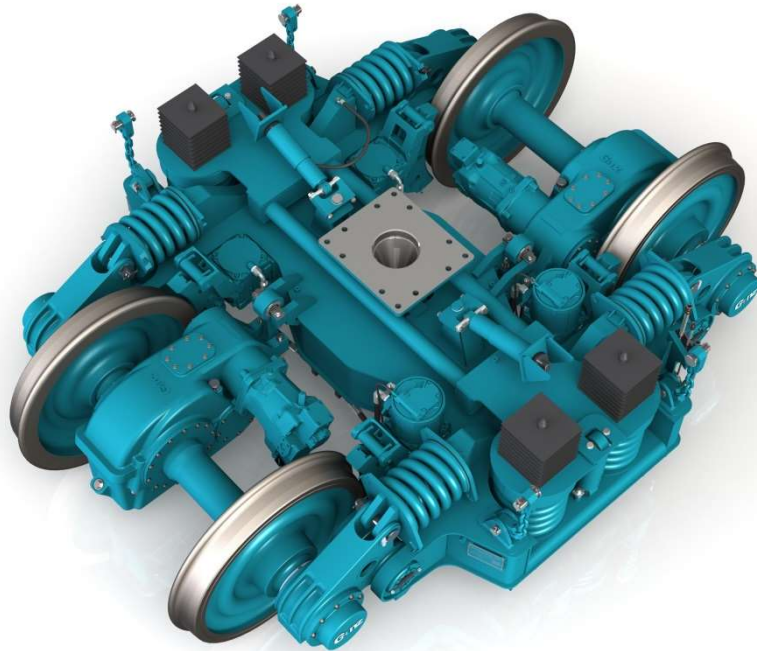
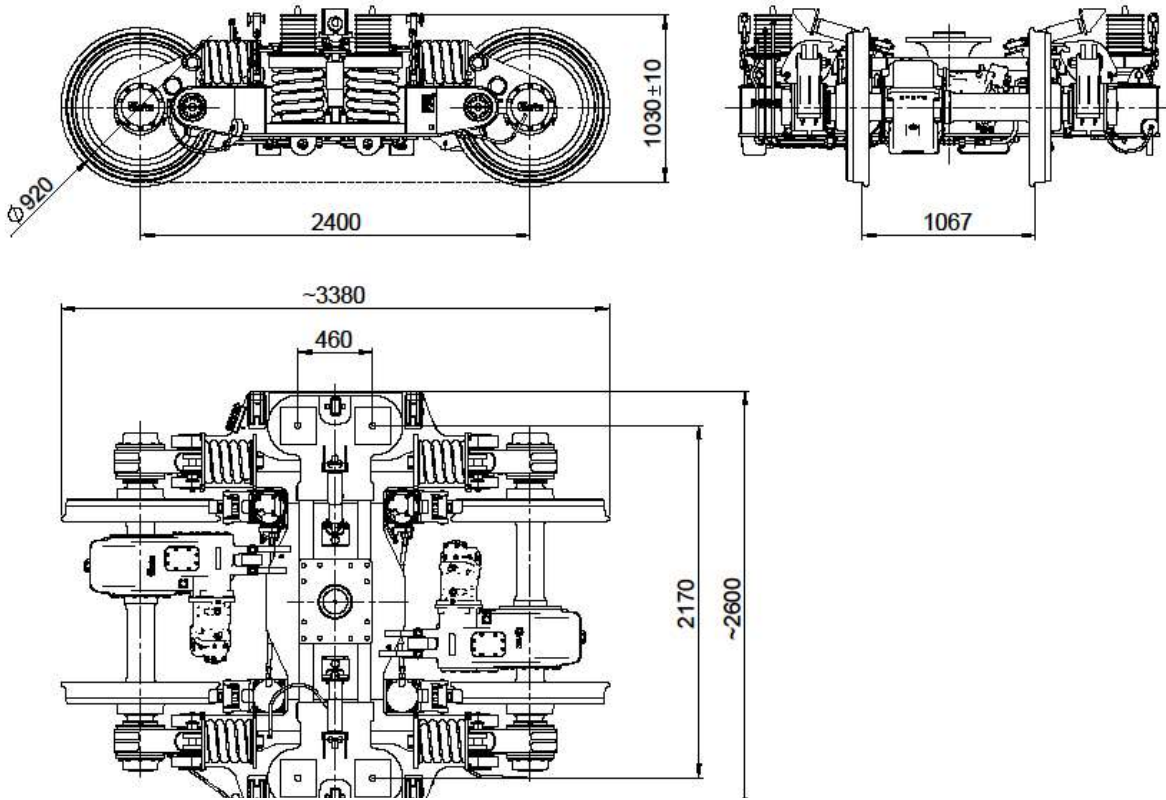
170.1-20

Narrow gauge powered bogie – Hydrostatic transmission



Application: Locomotives

Bogie type		170.1-20-N2	170.1-20-N1
Track gauge	[mm]	1000	1067
Clearance gauge / Possible country of operation		Argentina, Brazil, Bolivia, Thailand, Tunisia	South Africa, Congo, Sudan, Japan, Indonesia
Axle load, nominal range	[t]	13-17	13-17
Axle load, max. allowed	[t]	18	18
Wheel diameter new/worn	[mm]	920/840	920/840
Wheelbase	[mm]	2400	2400
Brake system		air brake unit	air brake unit
Brake arrangement		tread brake	tread brake
Parking brake type		spring applied	spring applied
Traction type		hydrostatic	hydrostatic
Max. power per wheelset	[kW]	200	200
Max. operating speed	[km/h]	60	60
Axle drive		two stage	two stage
Axle drive type		Ganz TKH 22,5-200	Ganz TKH 22,5-200
Bogie weight (approx.)	[t]	7,5	7,5



Optional features: Wheelset grounding; speed sensor; sanding system; tread cleaner; wheel flange lubrication.