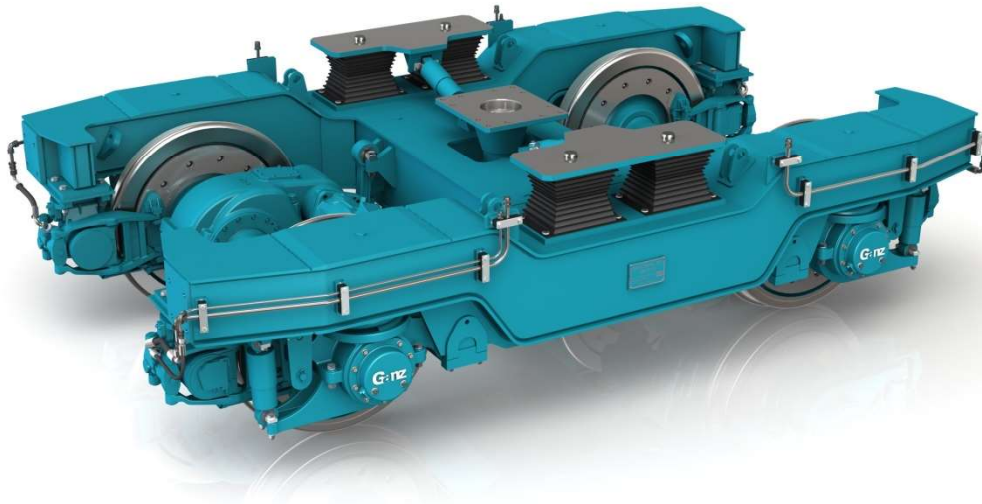


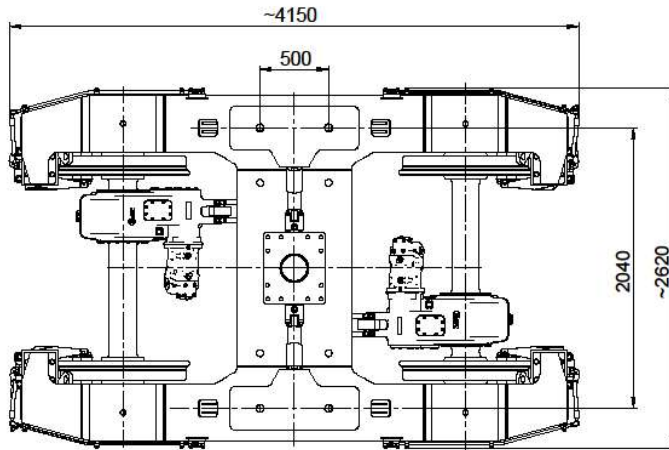
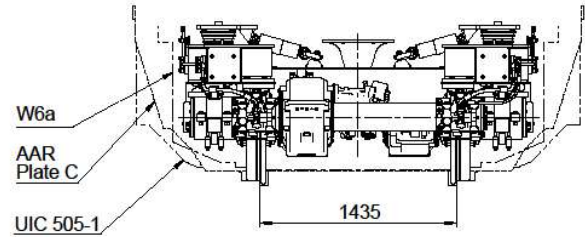
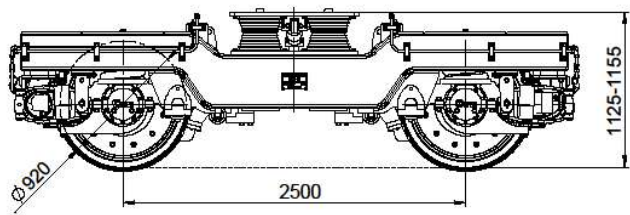
225.1-20

Heavy duty powered bogie – Hydrostatic transmission



Application: Maintenance of way vehicles, locomotives

Bogie type		225.1-20-N2	225.1-20-N1	225.1-20
Track gauge	[mm]	1000	1067	1435
Clearance gauge / Possible country of operation		Argentina, Brazil, Bolivia, Thailand, Tunisia	South Africa, Congo, Sudan, Japan, Indonesia	UIC 505-1, W6a, AAR plate C
Axle load, nominal range	[t]	18-22,5	18-22,5	18-22,5
Axle load, max. allowed	[t]	25	25	25
Wheel diameter new/worn	[mm]	920/840	920/840	920/840
Wheelbase	[mm]	2500	2500	2500
Brake system		air brake unit	air brake unit	air brake unit
Brake arrangement		wheel mounted disc	wheel mounted disc	wheel mounted disc
Parking brake type		spring applied	spring applied	spring applied
Traction type		hydrostatic	hydrostatic	hydrostatic
Max. power per wheelset	[kW]	250	250	375
Max. operating speed	[km/h]	60	60	80
Axle drive		two stage	two stage	two stage
Axle drive type		Ganz TKH 22,5-240	Ganz TKH 22,5-240	Ganz TKH 22,5-240
Bogie weight (approx.)	[t]	9,5	9,5	9,8



225.1-20-B1	225.1-20-B2	225.1-20-B3	225.1-20-B4
1520	1600	1668	1676
Finland, Russia	Brazil, Ireland, Australia	Spain, Portugal	India, Pakistan, Bangladesh, Argentina, Chile
18-22,5	18-22,5	18-22,5	18-22,5
25	25	25	25
920/840	920/840	920/840	920/840
2500	2500	2500	2500
air brake unit	air brake unit	air brake unit	air brake unit
wheel mounted disc	wheel mounted disc	wheel mounted disc	wheel mounted disc
spring applied	spring applied	spring applied	spring applied
hydrostatic	hydrostatic	hydrostatic	hydrostatic
375	375	375	375
80	80	80	80
two stage	two stage	two stage	two stage
Ganz TKH 22,5-240	Ganz TKH 22,5-240	Ganz TKH 22,5-240	Ganz TKH 22,5-240
9,9	10	10,1	10,1

Optional features: Wheelset grounding; speed sensor; sanding system; tread cleaner; wheel flange lubrication; equipment mounting pads; train protection system train-born units

Trailer version available.