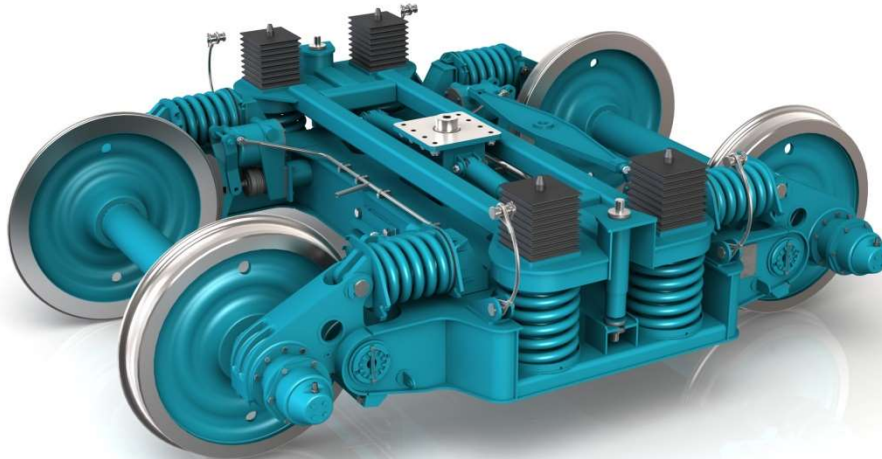


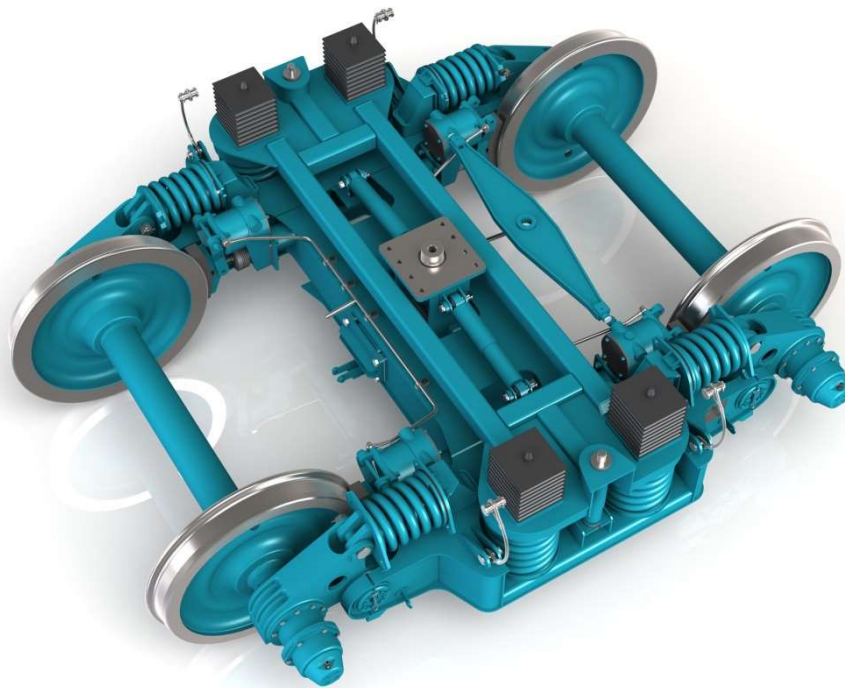
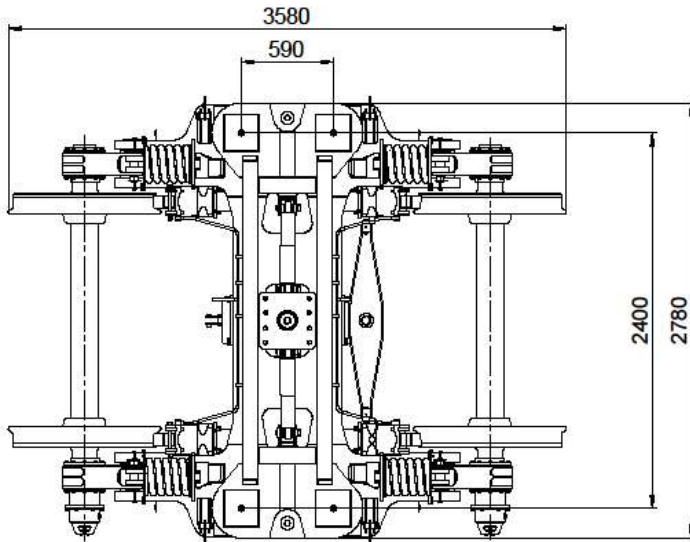
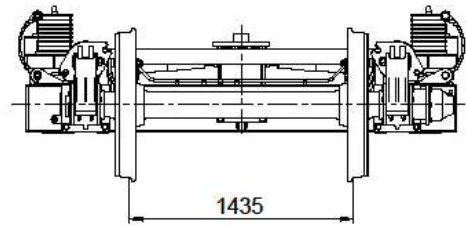
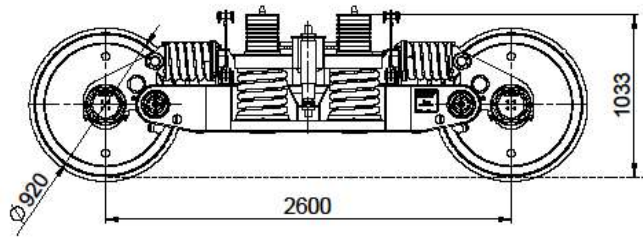
Ganz Unified

Trailer bogies



Application: Passenger coaches, power generator coaches

Bogie type		Ganz Unified	Ganz Unified	Ganz Unified
		trailer	trailer	trailer
Track gauge	[mm]	1000	1067	1435
Clearance gauge / Possible country of operation		Tunisia	Sudan	UIC 505-1, Egypt
Axle load, nominal range	[t]	10-14	10-14	10-14
Axle load, max. allowed	[t]	16	16	16
Wheel diameter new/worn	[mm]	920/840	920/840	920/840
Wheelbase	[mm]	2600	2600	2600
Brake system		air brake unit	air brake unit	air brake unit
Brake arrangement		tread brake	tread brake	tread brake
Parking brake type		manually operated	manually operated	manually operated
Max. operating speed	[km/h]	100/120	100/120	100/120
Bogie weight (approx.)	[t]	5,5	5,5	6,5



Optional features: Wheelset grounding; speed sensor.